

# Data Sheet

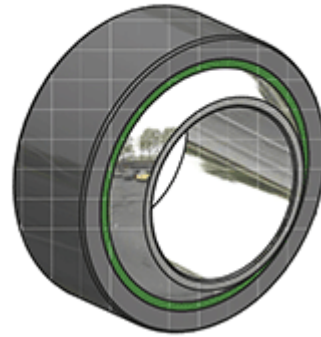
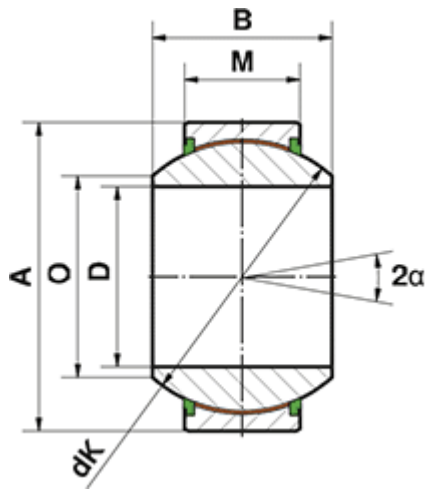


Article number: 03446140

Description: Fluro Heavy Duty Spherical Plain Bearing GE 140 GW-2RS  
Hole  $\varnothing$ 140

Note: 140

## Measures



	= -	Dynamic load C (kN) = 3840
	= -	M = 80
	= -	O = 151.9
A	= 230	Static load C0 (kN) = 6400
a (degrees)	= 16	Weight (g) = 18600
B	= 130	
D	= 250	
dK	= 200	